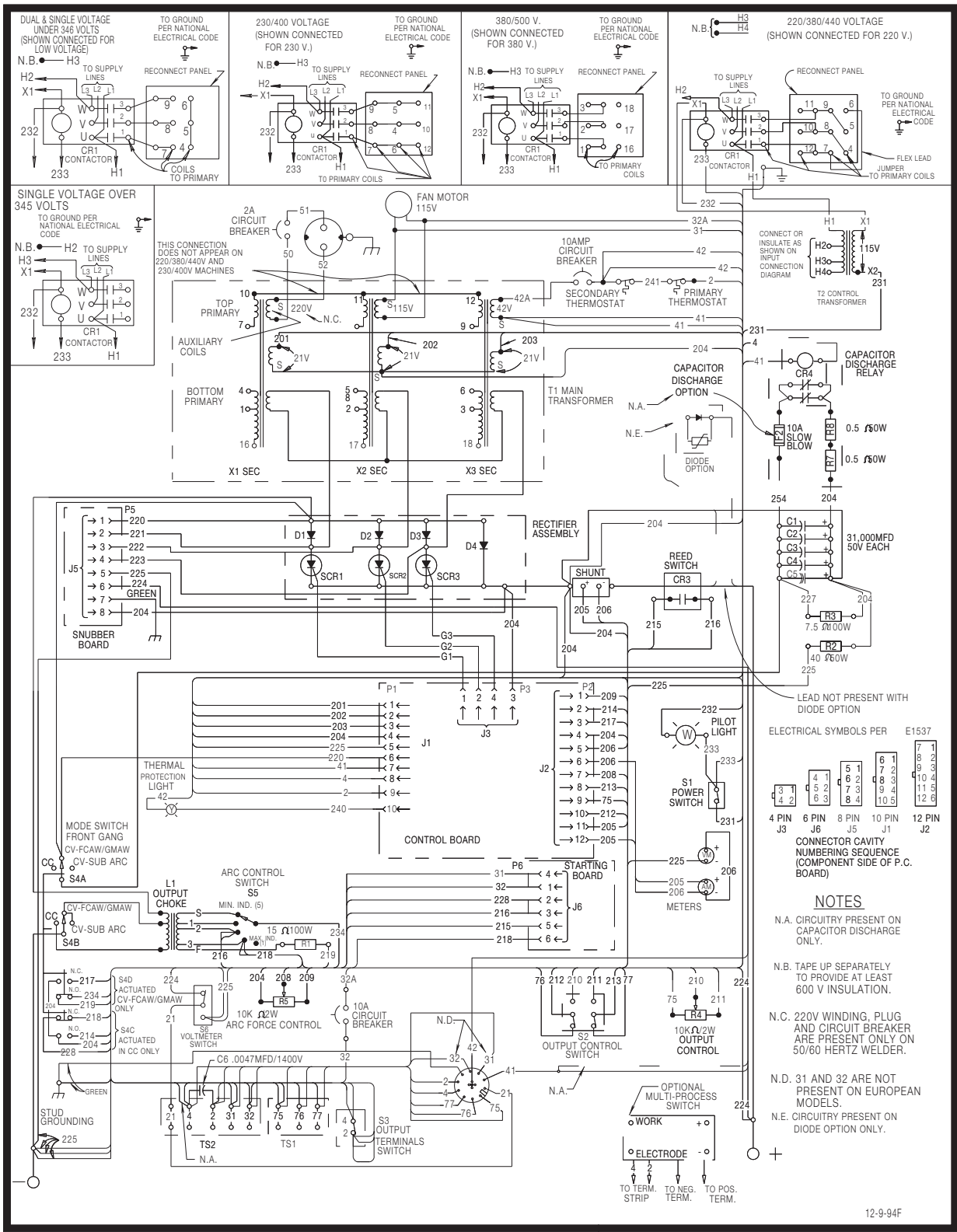




NOTE: This diagram is for reference only. It may not be accurate for all machines covered by this manual. The wiring diagram specific to your code is pasted inside one of the enclosure panels of your machine.



ELECTRICAL SYMBOLS PER E1537

4 PIN J3	6 PIN J6	8 PIN J5	10 PIN J1	12 PIN J2
-------------	-------------	-------------	--------------	--------------

CONNECTOR CAVITY NUMBERING SEQUENCE (COMPONENT SIDE OF P.C. BOARD)

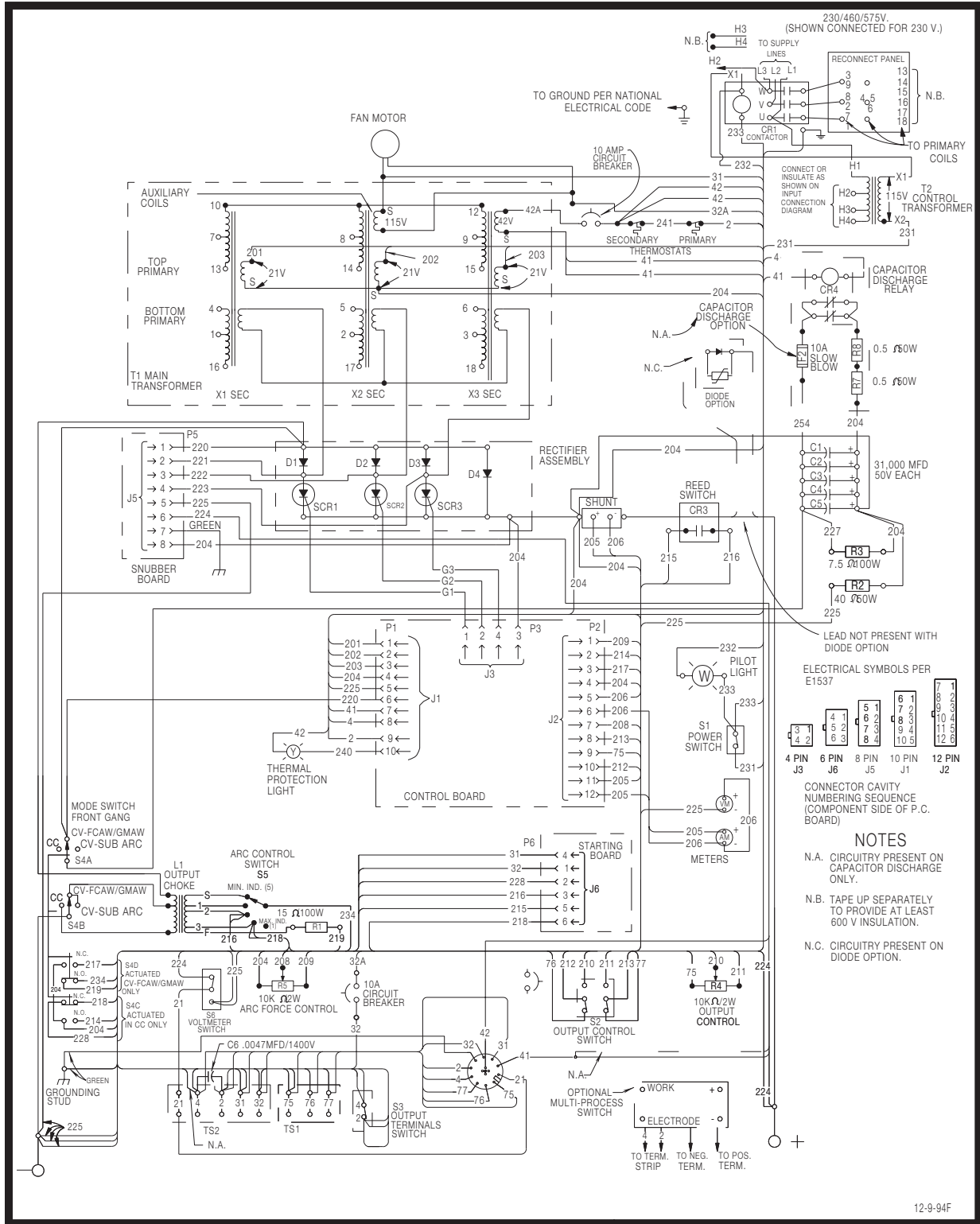
- NOTES**
- N.A. CIRCUITRY PRESENT ON CAPACITOR DISCHARGE ONLY.
  - N.B. TAPE UP SEPARATELY TO PROVIDE AT LEAST 600 V INSULATION.
  - N.C. 220V WINDING, PLUG AND CIRCUIT BREAKER ARE PRESENT ONLY ON 50/60 HERTZ WELDER.
  - N.D. 31 AND 32 ARE NOT PRESENT ON EUROPEAN MODELS.
  - N.E. CIRCUITRY PRESENT ON DIODE OPTION ONLY.

12-9-94F

L9106



NOTE: This diagram is for reference only. It may not be accurate for all machines covered by this manual. The wiring diagram specific to your code is pasted inside one of the enclosure panels of your machine.



ELECTRICAL SYMBOLS PER E1537

4 PIN J3	6 PIN J6	8 PIN J5	10 PIN J1	12 PIN J2
1 2 3 4	1 2 3 4 5 6	1 2 3 4 5 6 7 8	1 2 3 4 5 6 7 8 9 10	1 2 3 4 5 6 7 8 9 10 11 12

CONNECTOR CAVITY NUMBERING SEQUENCE (COMPONENT SIDE OF P.C. BOARD)

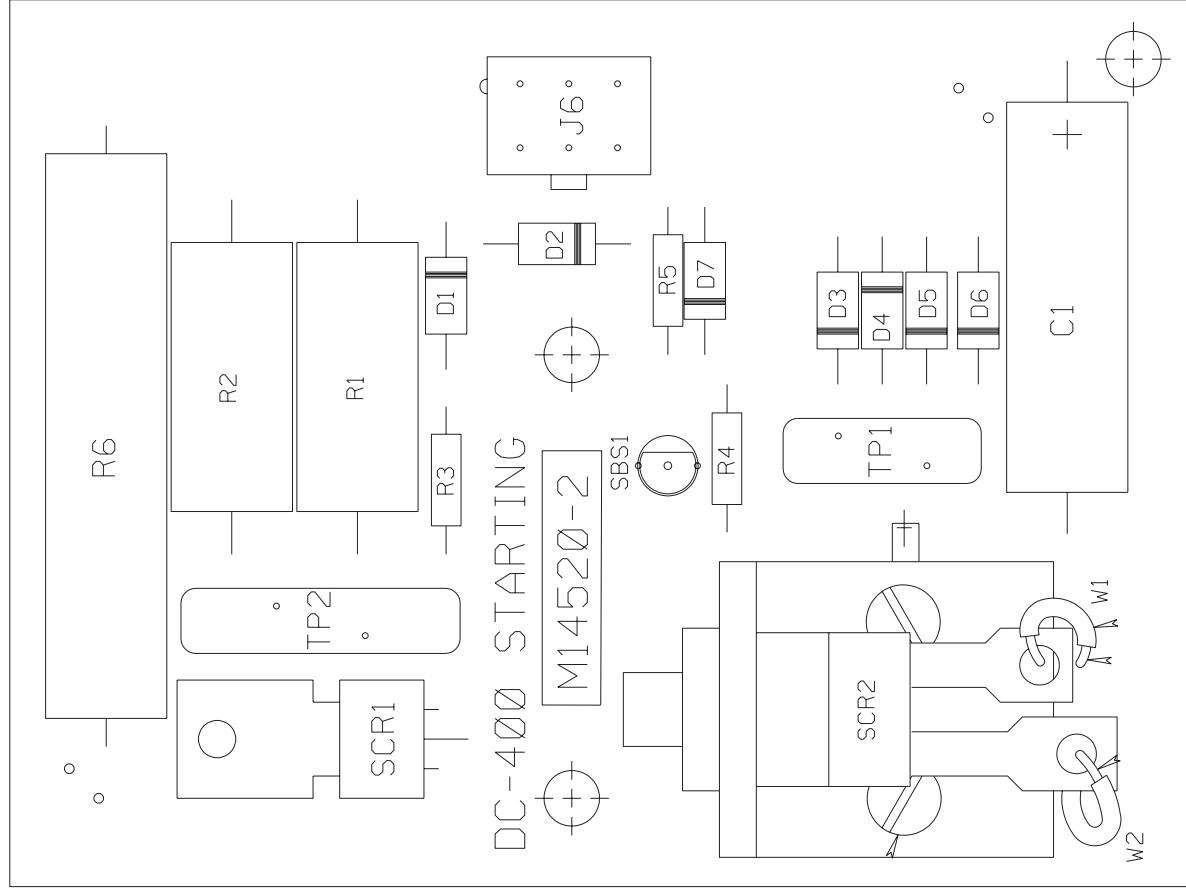
- NOTES
- N.A. CIRCUITRY PRESENT ON CAPACITOR DISCHARGE ONLY.
  - N.B. TAPE UP SEPARATELY TO PROVIDE AT LEAST 600 V INSULATION.
  - N.C. CIRCUITRY PRESENT ON DIODE OPTION.

12-9-94F

L9107



Starting PC Board (M14520) Layout

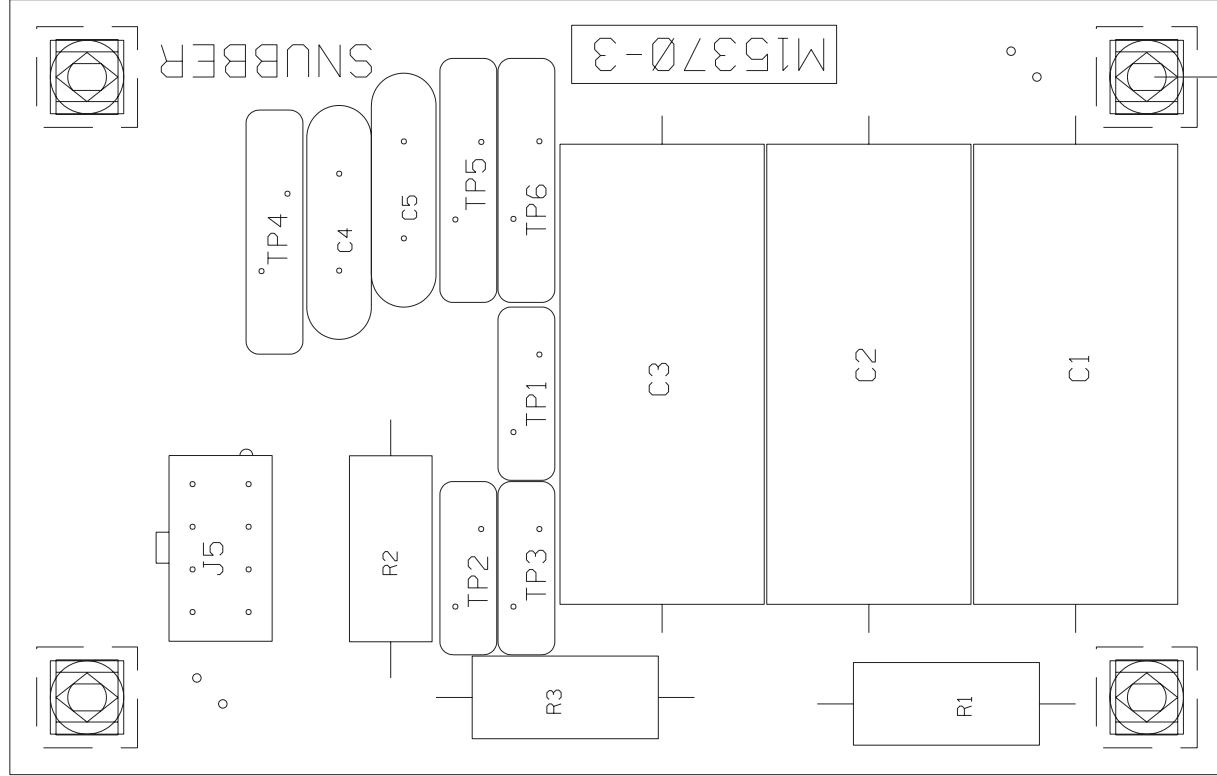


ITEM	REQ'D	IDENTIFICATION
C1	1	50/50
D1, D2	2	1N4007
D3, D4, D5, D6, D7	5	1N4004
R1, R2	2	5W/2500 OHM RESISTOR
R3, R5	2	1K 1/4W
R4	1	1.5K 1/4W
R6	1	100 10W
SCR1	1	4A, 400V SCR
SCR2	1	SCR HEAT SINK AS'BLY
SBS1	1	SILICON BILATERAL SWITCH
TP1	1	38J
TP2	1	160J

**NOTE:** Lincoln Electric assumes no responsibility for liabilities resulting from board level troubleshooting. PC Board repairs will invalidate your factory warranty. **Individual Printed Circuit Board Components are not available from Lincoln Electric.** This information is provided for reference only. Lincoln Electric discourages board level troubleshooting and repair since it may compromise the quality of the design and may result in danger to the Machine Operator or Technician. Improper PC board repairs could result in damage to the machine. **IDEALARC DC400**



Snubber PC Board (M15370) Layout

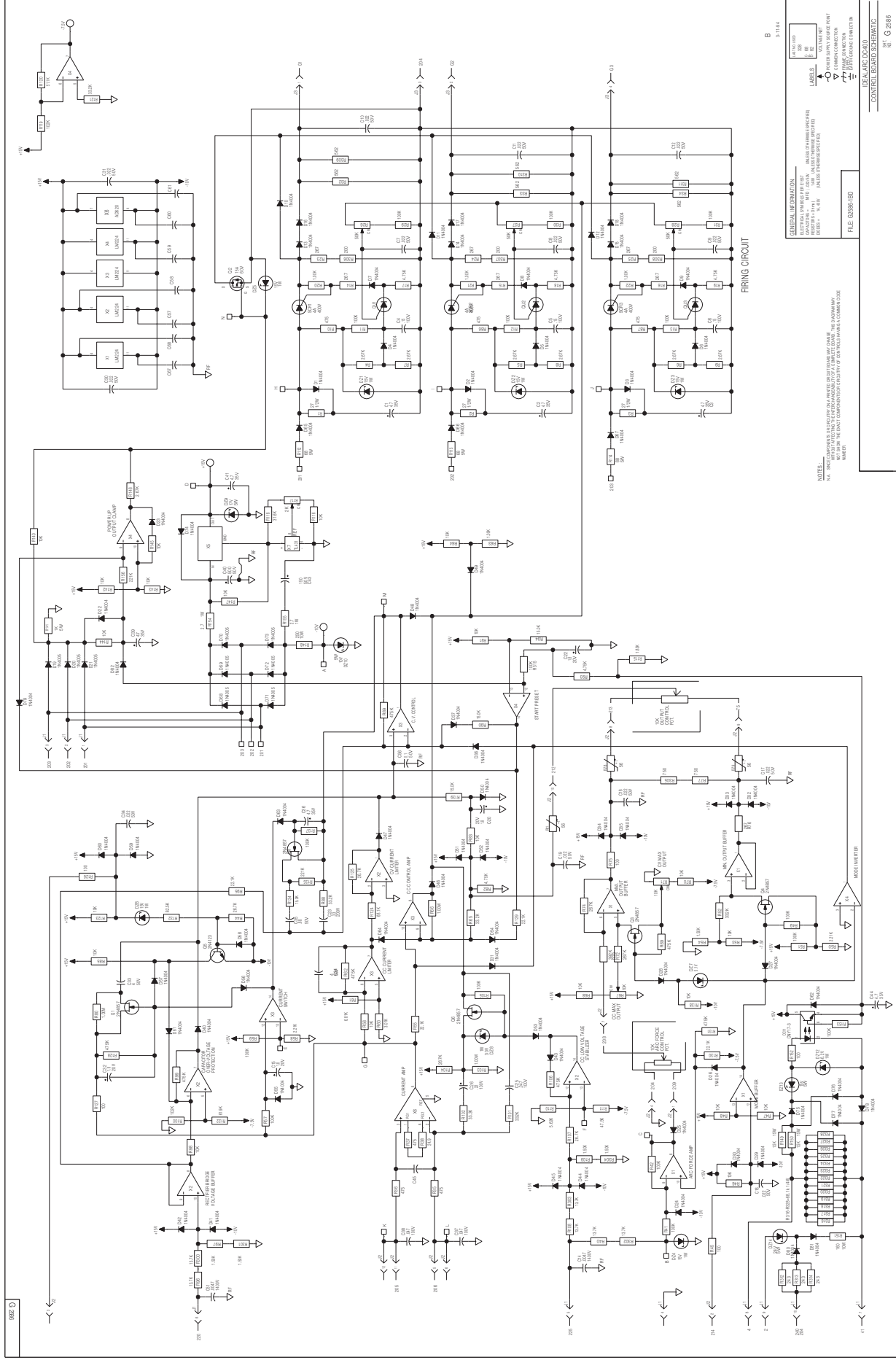


ITEM	REQD	DESCRIPTION
C1,C2,C3	3	.68/400
C4,C5	2	.05/600
R1,R2,R3	3	10 2W
TP1,TP2,TP3	3	38J
TP4,TP5	2	160J
TP6	1	80J



**NOTE:** Lincoln Electric assumes no responsibility for liabilities resulting from board level troubleshooting. PC Board repairs will invalidate your factory warranty. **Individual Printed Circuit Board Components are not available from Lincoln Electric.** This information is provided for reference only. Lincoln Electric discourages board level troubleshooting and repair since it may compromise the quality of the design and may result in danger to the Machine Operator or Technician. Improper PC board repairs could result in damage to the machine.

Control PC Board (G2588) Schematic



NOTE: Lincoln Electric assumes no responsibility for liabilities resulting from board level troubleshooting. PC Board repairs will invalidate your factory warranty. Individual Printed Circuit Board Components are not available from Lincoln Electric. This information is provided for reference only. Lincoln Electric discourages board level troubleshooting and repair since it may compromise the quality of the design and may result in danger to the Machine Operator or Technician. Improper PC Board repairs could result in damage to the machine.

IDEALARC DC400

Return to Section TOC

Return to Master TOC

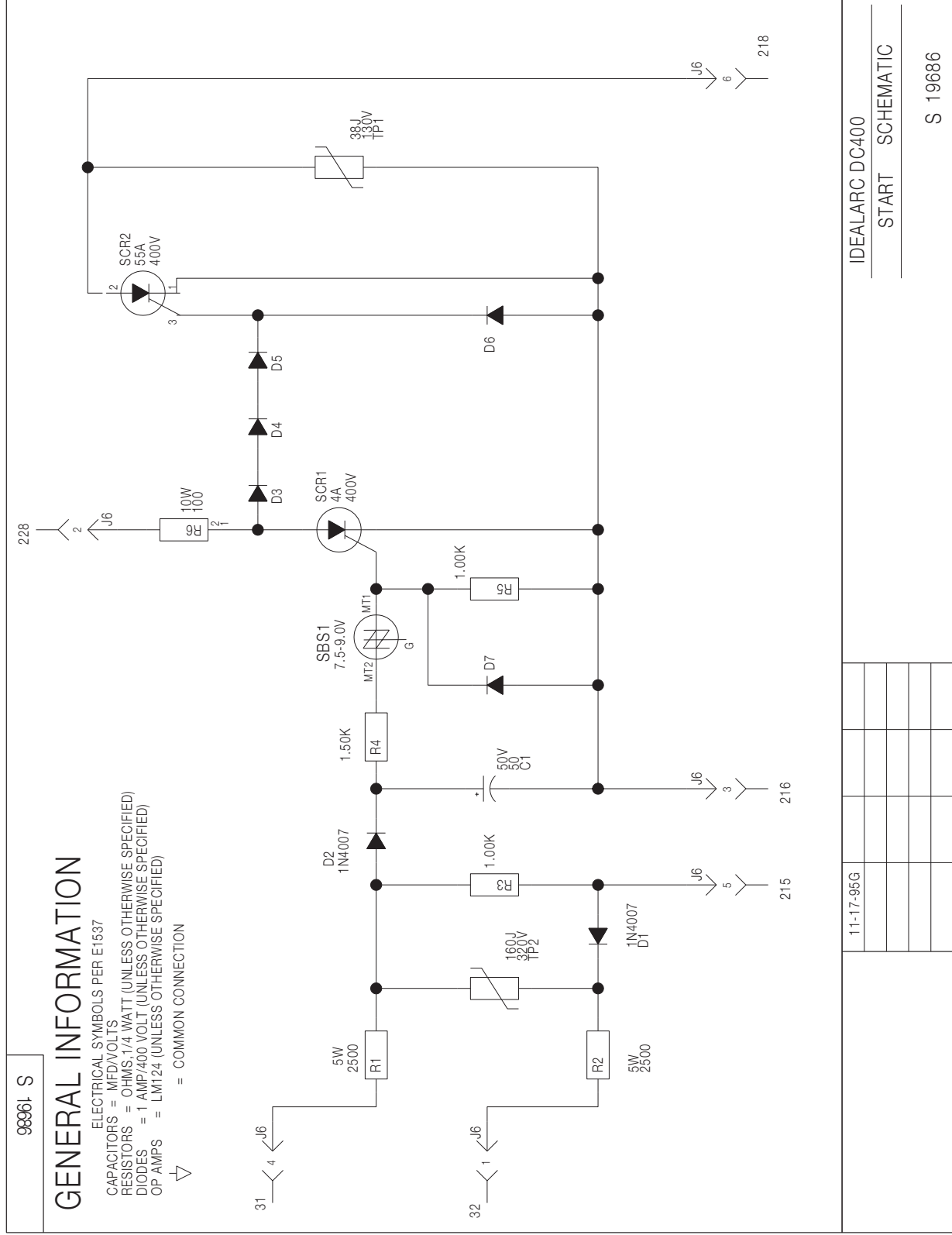
Return to Section TOC

Return to Master TOC

Return to Section TOC

Return to Master TOC

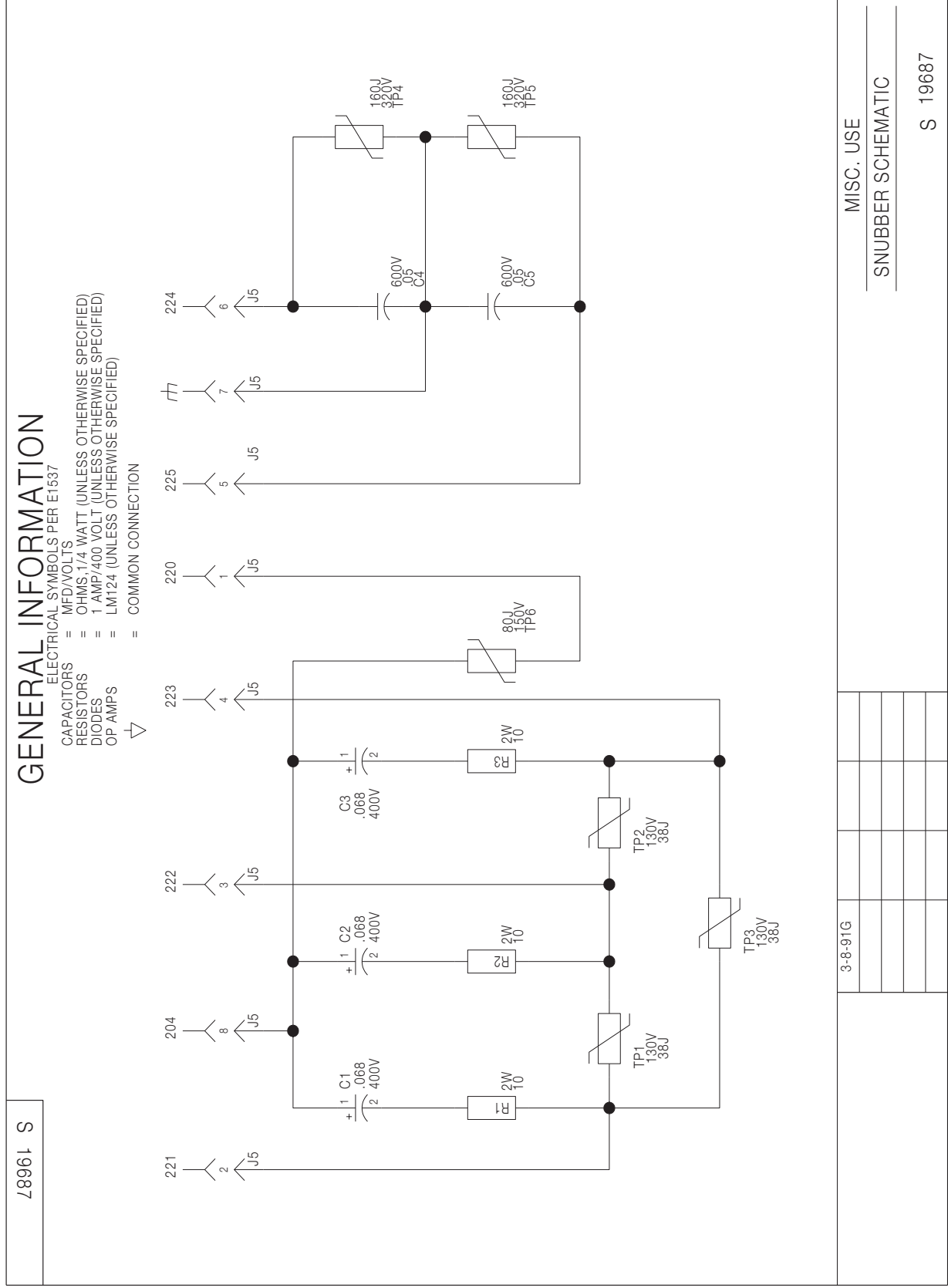
Starting PC Board (M14520) Schematic



**NOTE:** Lincoln Electric assumes no responsibility for liabilities resulting from board level troubleshooting. PC Board repairs will invalidate your factory warranty. **Individual Printed Circuit Board Components are not available from Lincoln Electric.** This information is provided for reference only. Lincoln Electric discourages board level troubleshooting and repair since it may compromise the quality of the design and may result in danger to the Machine Operator or Technician. Improper PC board repairs could result in damage to the machine. **IDEALARC DC400**



Snubber PC Board (M15370) Schematic



**NOTE:** Lincoln Electric assumes no responsibility for liabilities resulting from board level troubleshooting. PC Board repairs will invalidate your factory warranty. Individual Printed Circuit Board Components are not available from Lincoln Electric. This information is provided for reference only. Lincoln Electric discourages board level troubleshooting and repair since it may compromise the quality of the design and may result in danger to the Machine Operator or Technician. Improper PC board repairs could result in damage to the machine.

